

Jigsaw Extruded Seal

Innovative Cut-To-Length Sealing



Versatile Sealing Solutions for Low Production Joints:

Sealing large joints or multiple grooves can pose cost and timing issues within product development. Extruded cord is often used to work within the program budgets and time constraints. However, that can create issues with splicing, RTV application, and inventory management.

To address these challenges, Parker has developed a new “Jigsaw” extruded seal design. The differentiating feature of this unique cross-section is the precise interlock when the cut-to-length seal ends are overlapped. When compressed, this patent pending interlock seals against itself and creates an RTV free joint.

Parker’s Jigsaw seal is typically supplied coiled on spools, so it can be used in paths of all different lengths. This elegant sealing solution reduces up front costs and provides easy seal installation. As a bonus, the seal is self-retaining to facilitate inverted assembly operations or transportation prior to final assembly.



Contact Information:

Parker Hannifin Corporation
O-Ring & Engineered Seals
2360 Palumbo Drive
Lexington, KY 40509

phone 859 269 2351
oesmailbox@parker.com

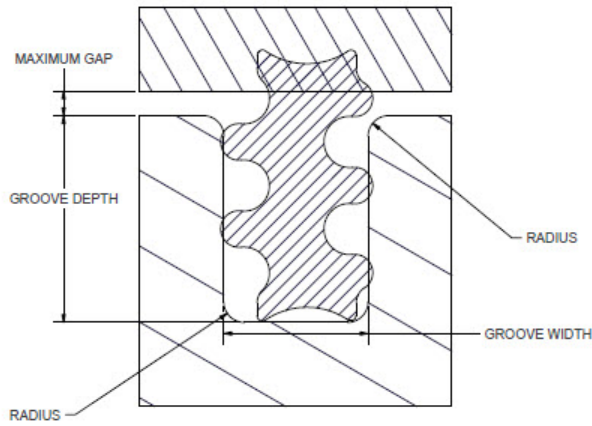
www.parker.com/oes

Benefits & Product Features:

- No tooling required for standard profiles
- Reduced lead time
- Easy installation with no RTV
- 1 part number for multiple joints
- Simplified field maintenance
- Self-retaining

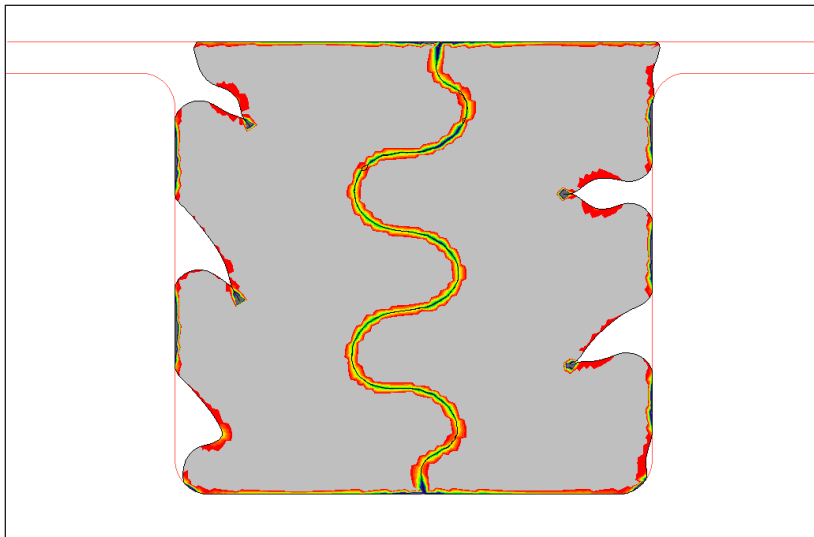


ENGINEERING YOUR SUCCESS.



Standard Grooves (mm)			
	JG46	JG50	JG60
Groove width	3.00 ± 0.10	3.50 ± 0.13	4.00 ± 0.15
Groove depth	4.65 ± 0.10	5.00 ± 0.13	6.00 ± 0.15
Radius	0.50	0.50	0.50
Maximum gap	0.20	0.40	0.60
Overlap groove width	5.00 ± 0.10	5.90 ± 0.10	6.80 ± 0.15
Overlap groove length	50	50	50

Figure 1: Standard Groove Sizes for the jigsaw seal
 Available in AEM, EPDM, NBR, VMQ, FVMQ, FKM, HNBR and CR. Product is currently made to order.



When the ends of the jigsaw seal are overlapped and compressed, the adjoining seal walls interlock and press together. This unique mating interface acts like a splice, creating a sealed joint.